

372, 372 EPA

362 Special, 362 Special EPA

Spare parts

Ersatzteile

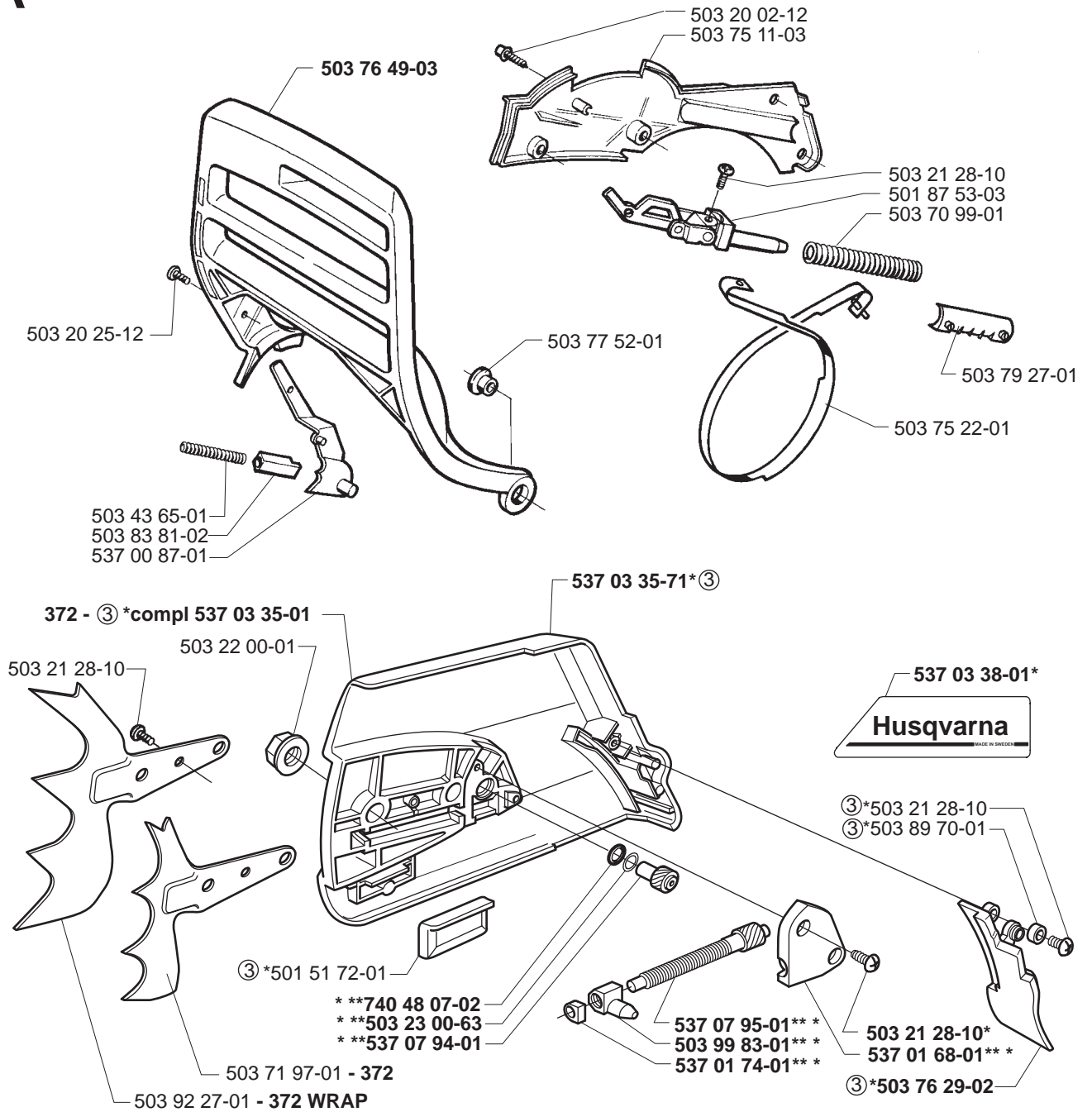
Pièces détachées

Reserve onderdelen

Repuestos

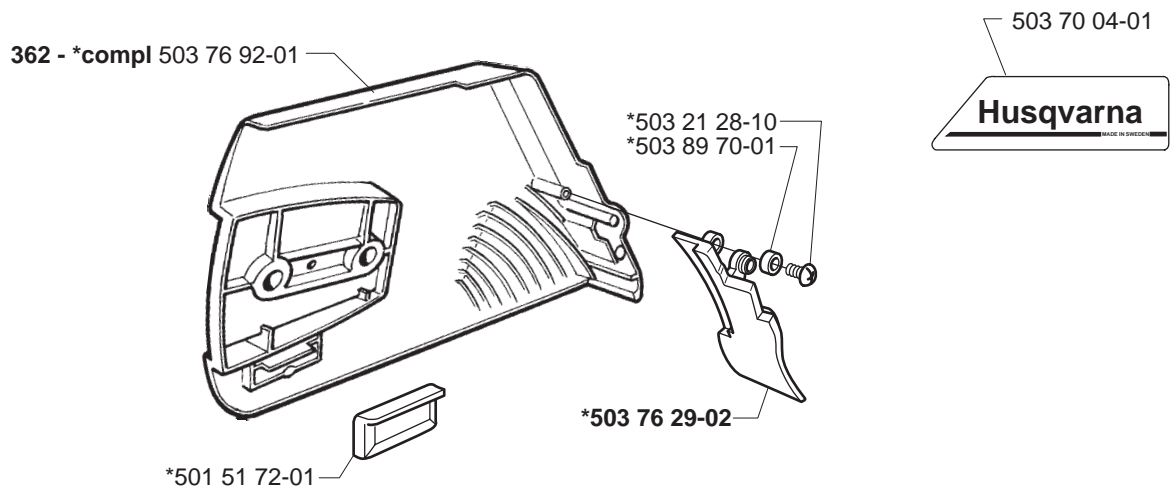
Reservdelar

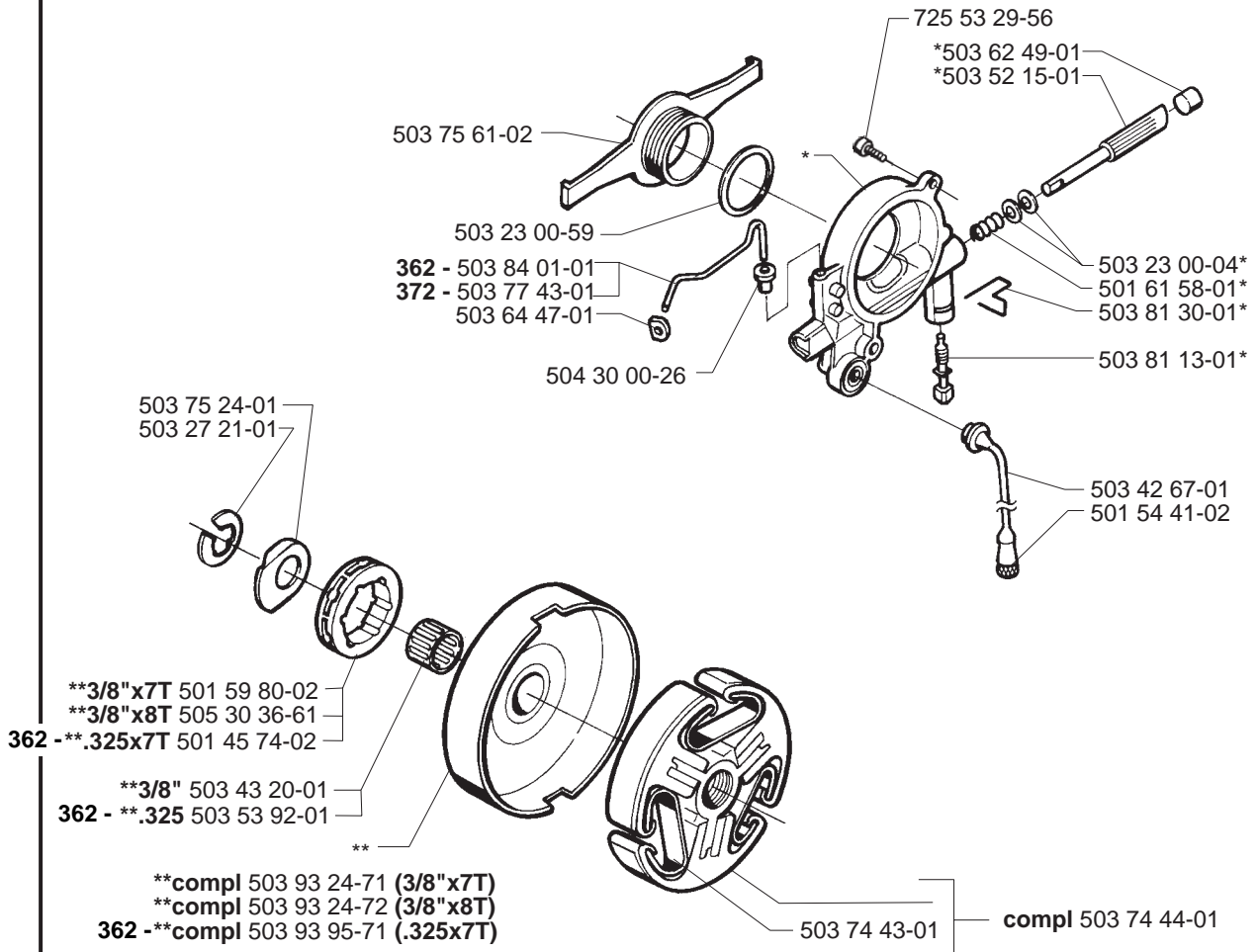
A



372 - **compl 537 04 41-02

B



C***compl 503 52 13-01****D**

*compl 503 62 78-07 Std
 **compl 503 62 78-08 Hd

*503 62 80-01 Std
 **503 81 77-01 Hd



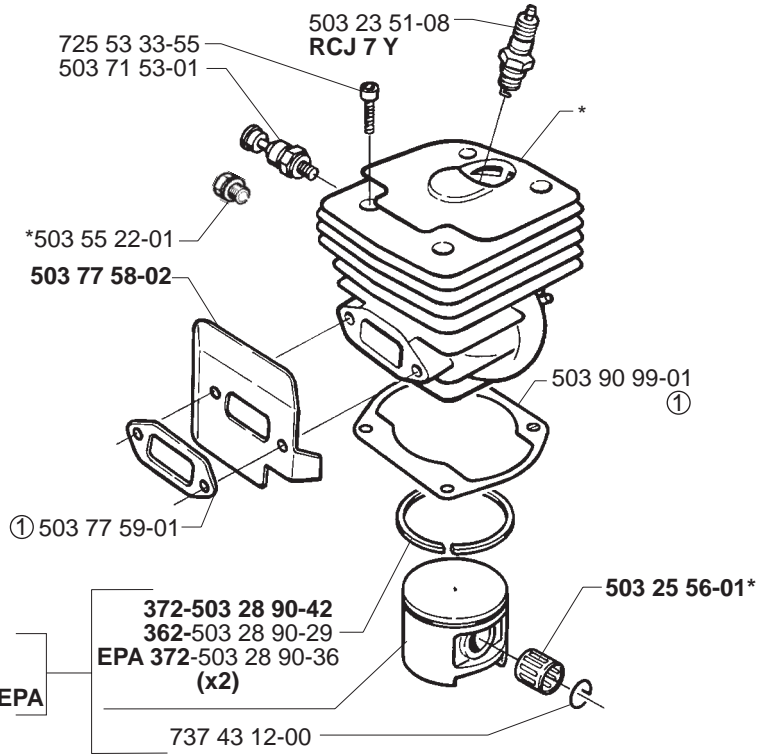
503 98 74-01** **

537 01 65-01

**503 20 34-25

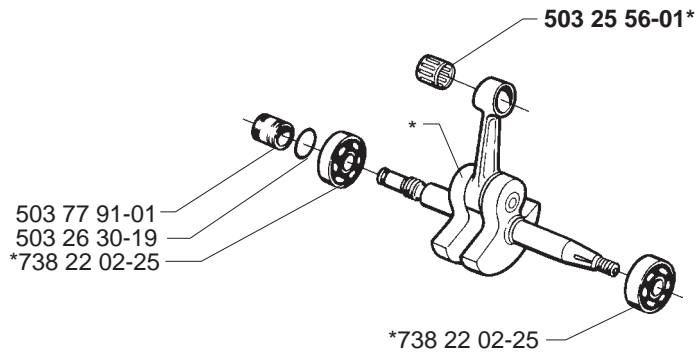
503 74 01-02* **

E *compl 503 62 64-73 - 372
 *compl 503 96 52-71 - 362
 *compl 503 93 93-72 - 372 EPA

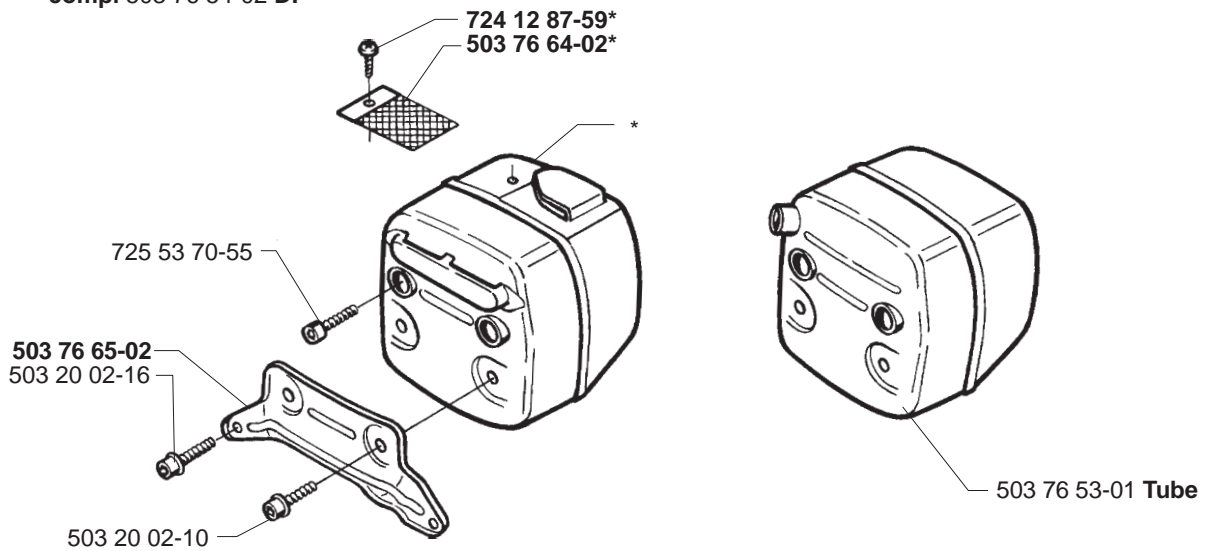


*compl 503 69 12-71 - 372
 *compl 503 69 14-71 - 362
 *compl 503 93 92-71 - 372 EPA

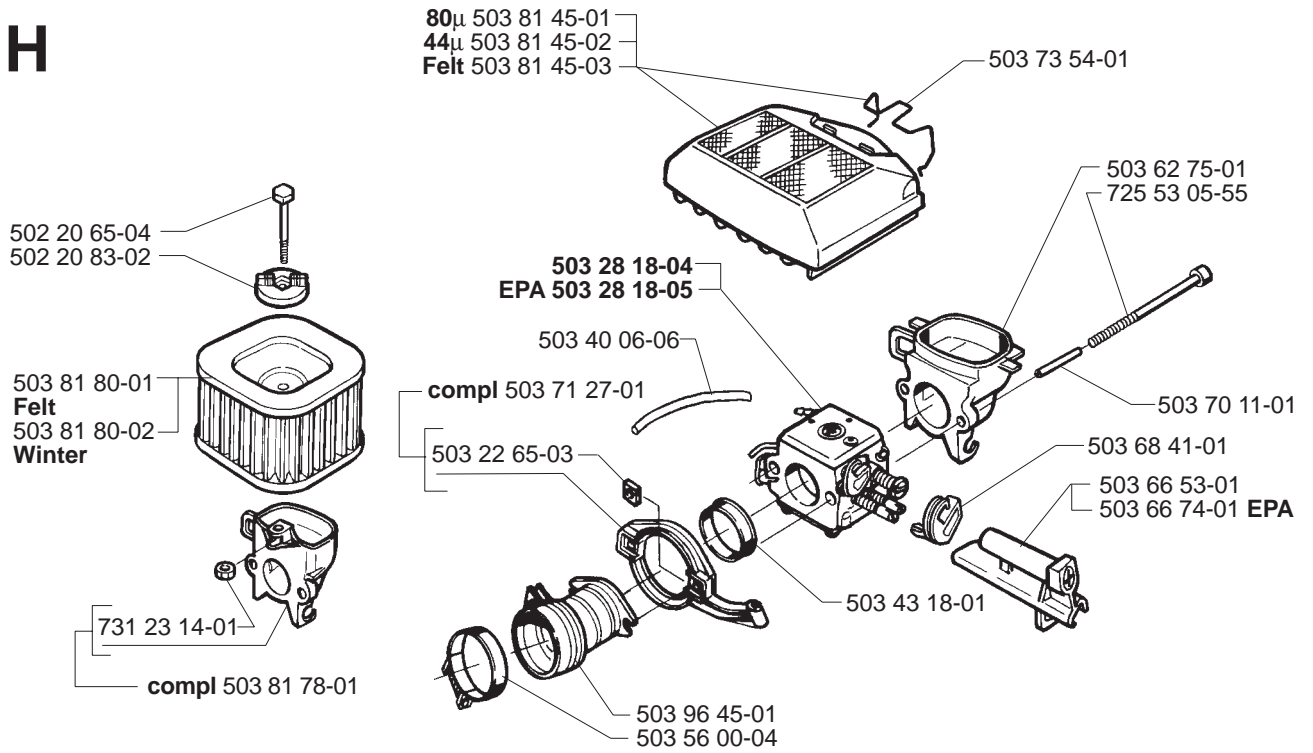
F *compl 503 72 91-76



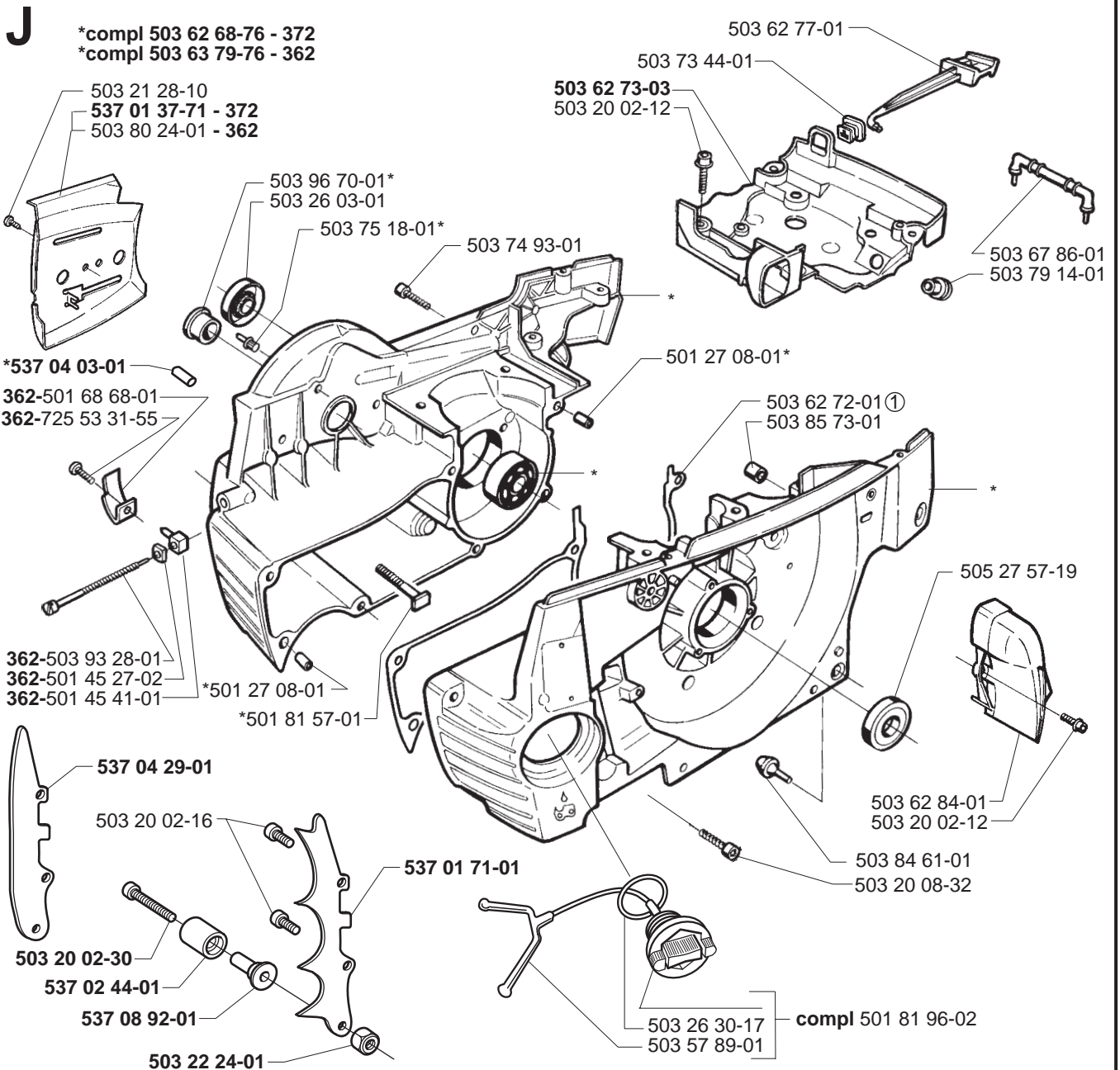
G compl 503 76 52-01 FG
 *compl 503 76 53-02 Jungle
 *compl 503 76 54-02 DF

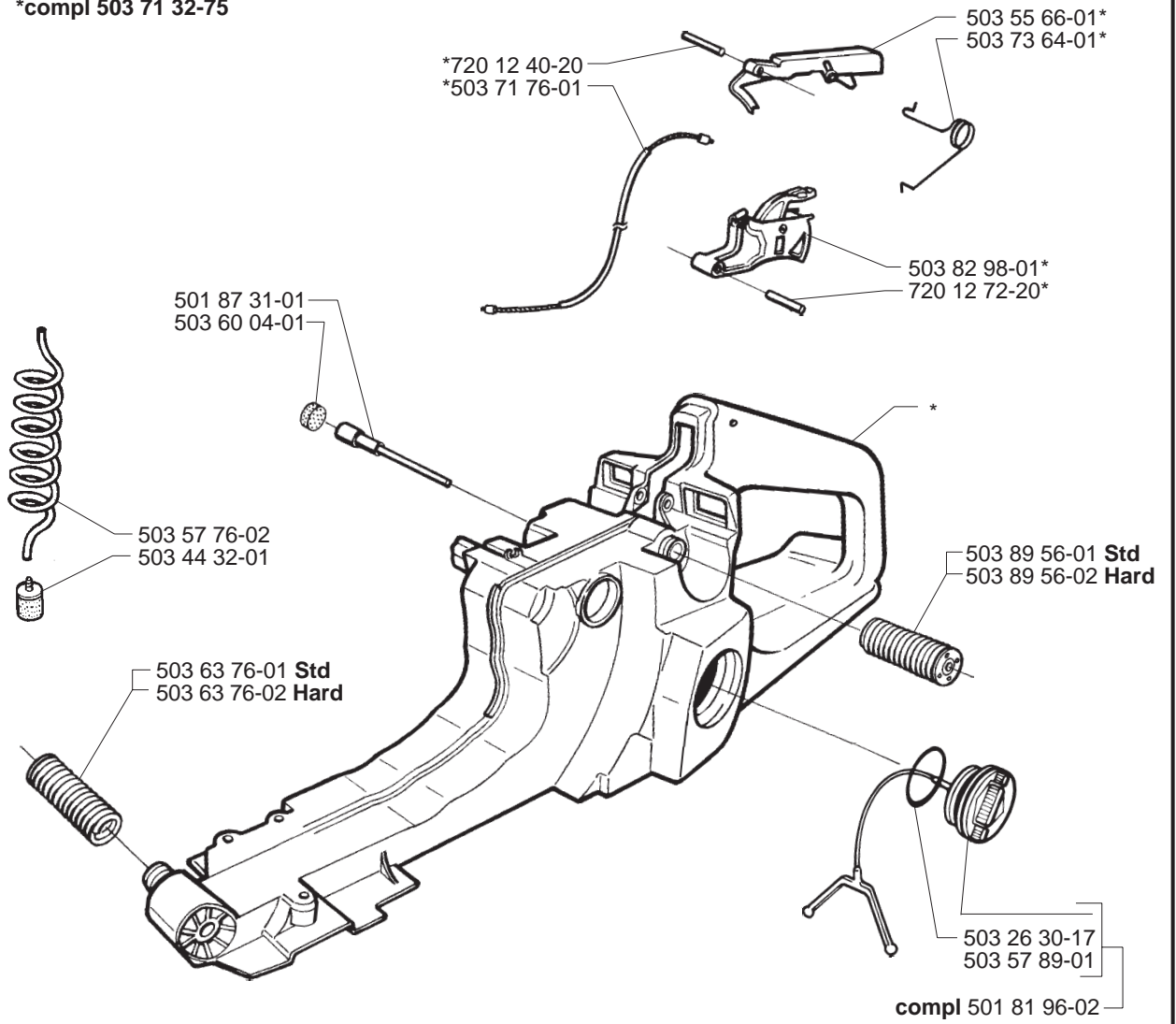
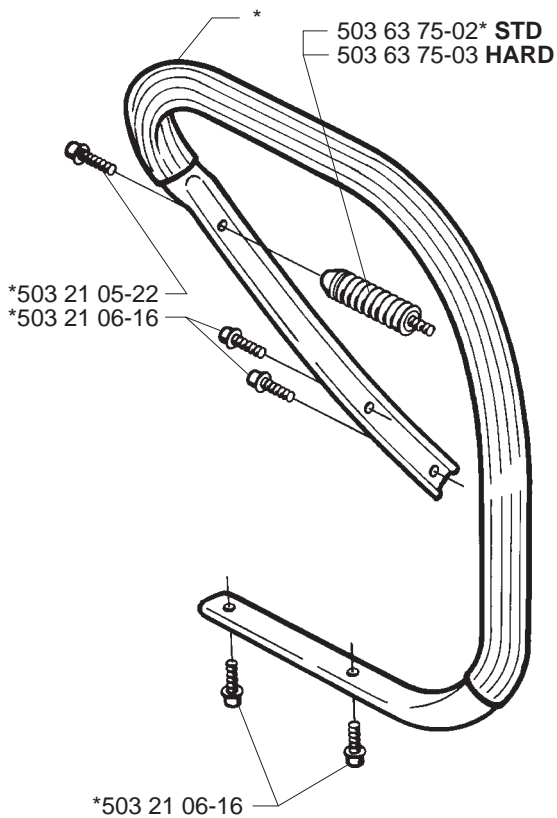
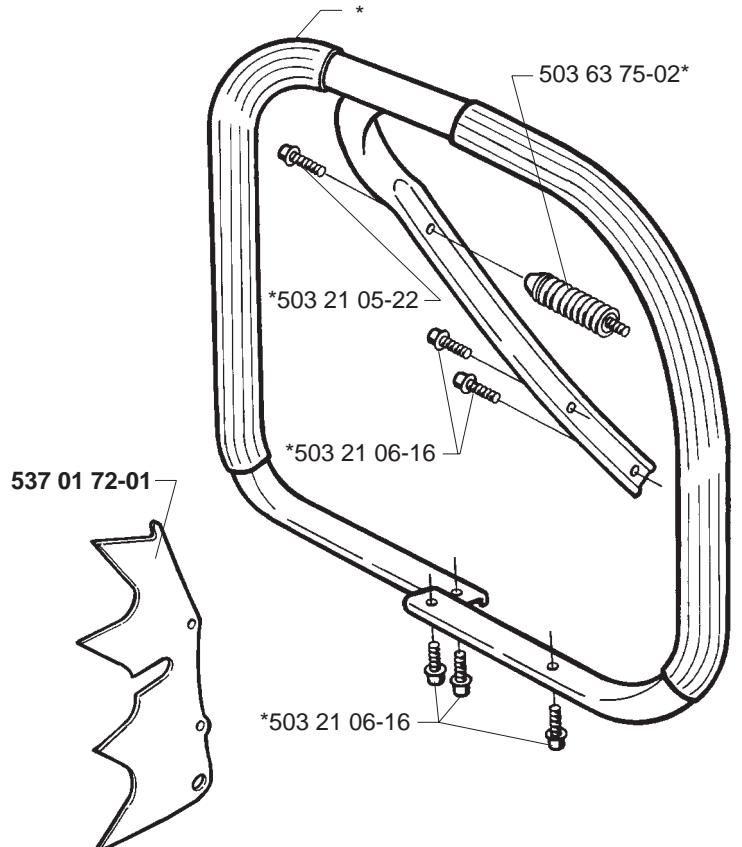


H



J



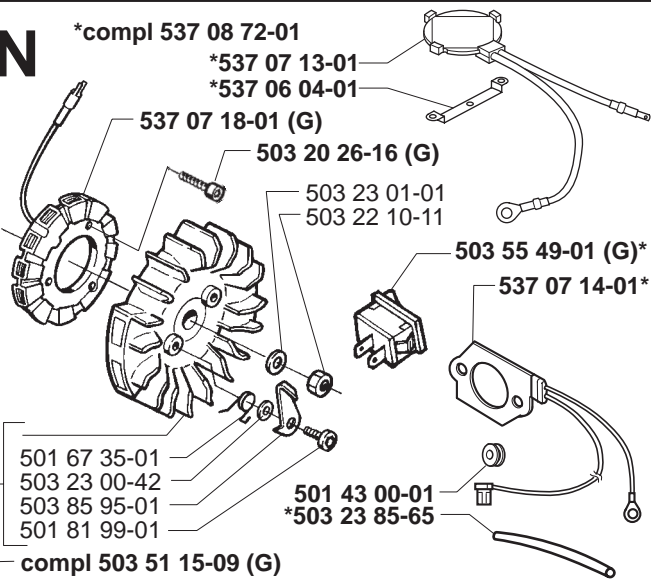
K***compl 503 71 32-75****L*****compl 503 62 67-71****M*****compl 503 62 86-71WRAP**

N

*compl 537 08 72-01

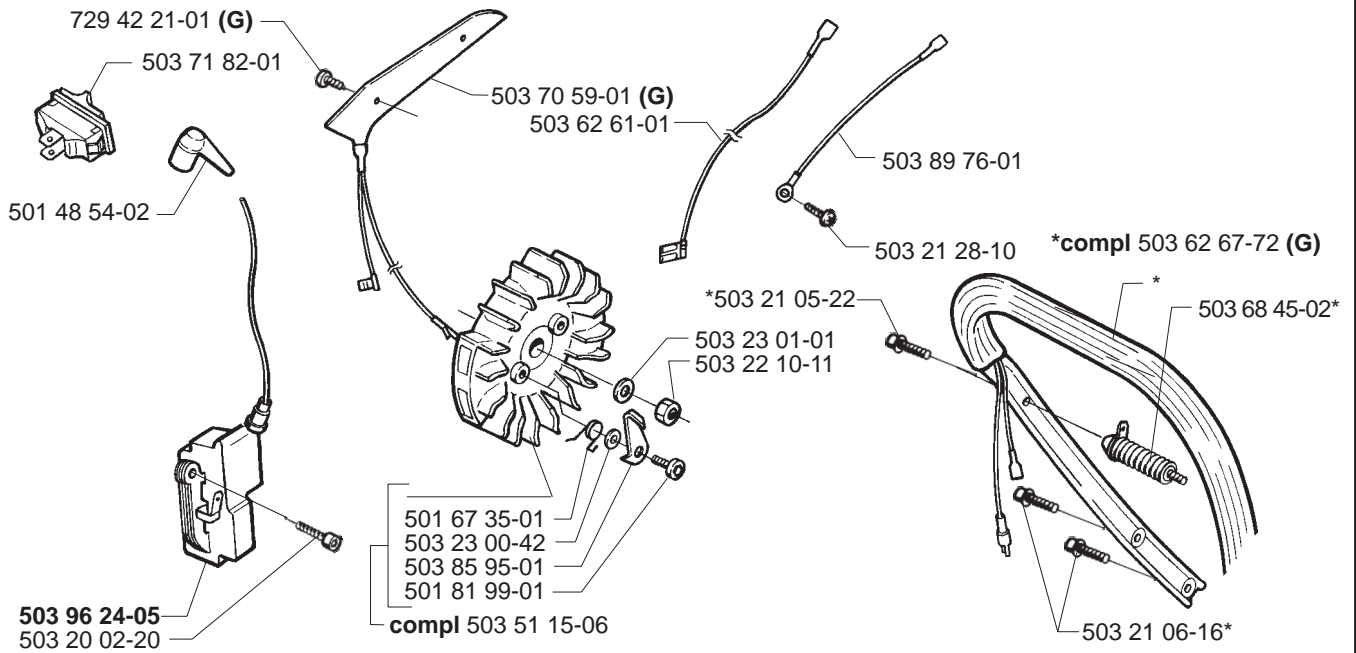
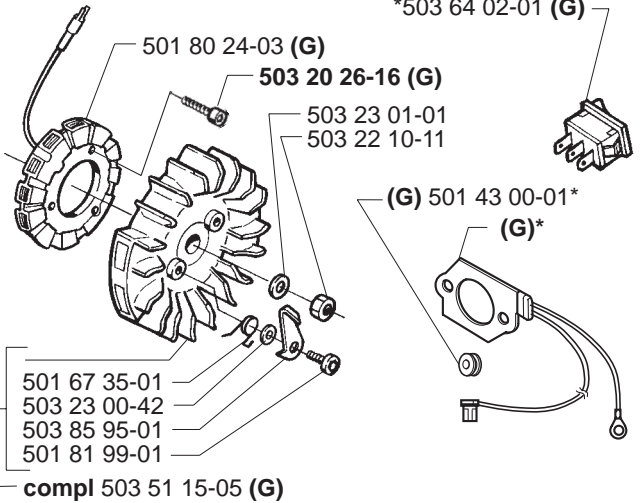
*537 07 13-01

*537 06 04-01



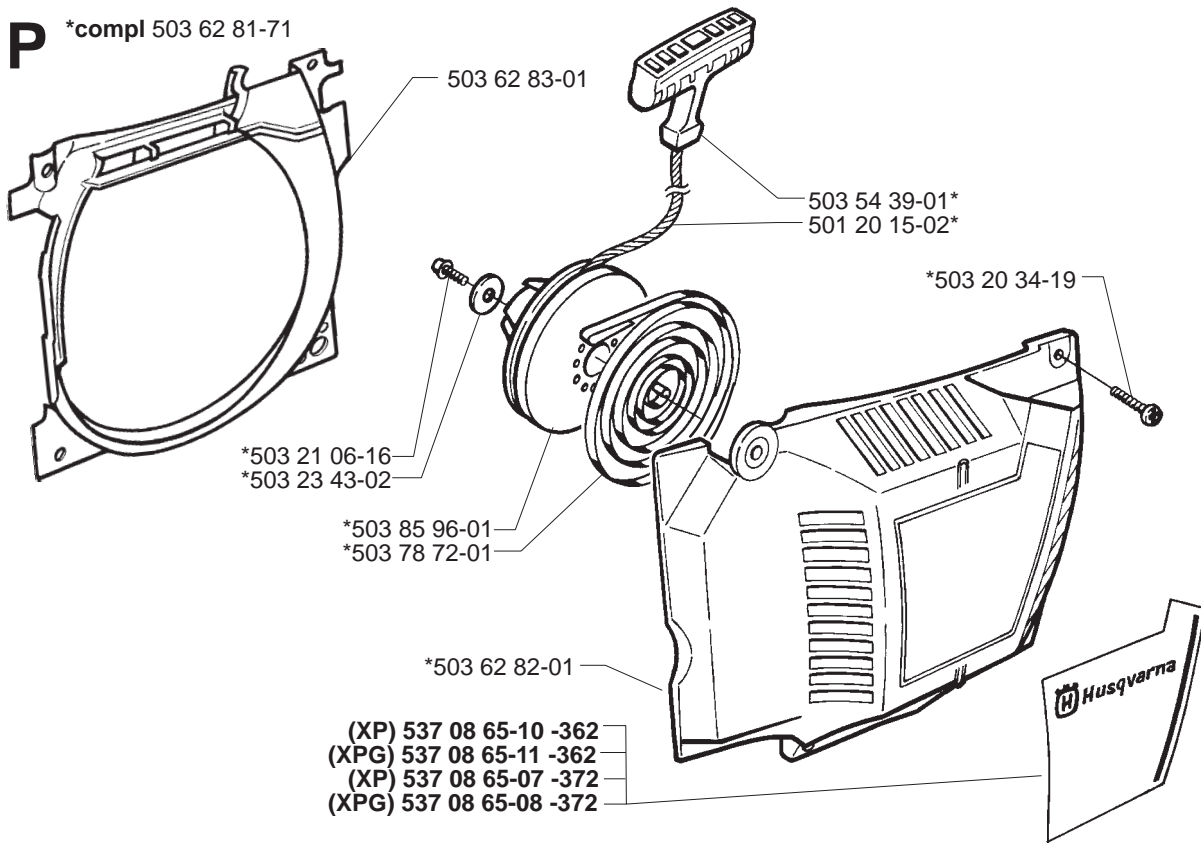
*compl 537 01 59-01

*503 64 02-01 (G)



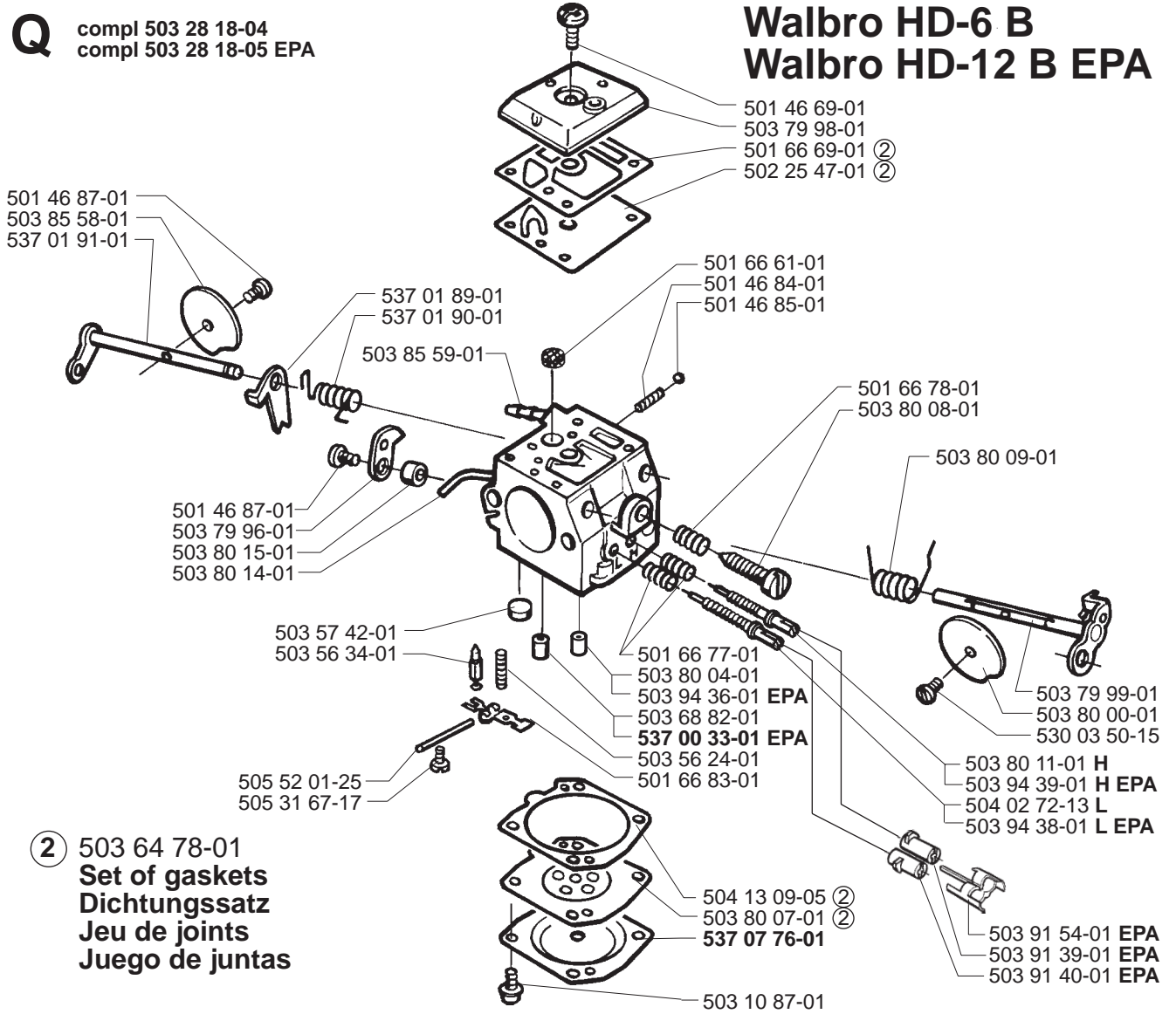
P

*compl 503 62 81-71



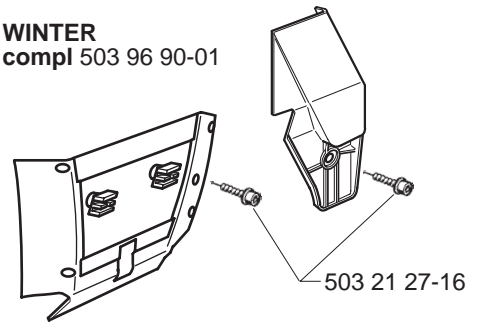
Q compl 503 28 18-04
compl 503 28 18-05 EPA

Walbro HD-6 B Walbro HD-12 B EPA

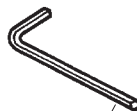


R Accessories Zubehöre Accessories Accesorios

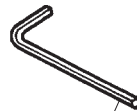
WINTER
compl 503 96 90-01



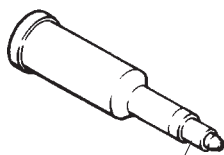
*compl 503 55 85-01



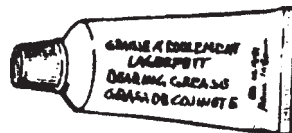
*503 55 86-01 NV4



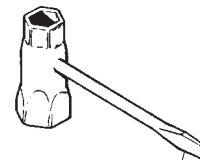
*503 55 86-02 NV5



*501 91 14-01



*503 62 12-01



*501 69 17-01